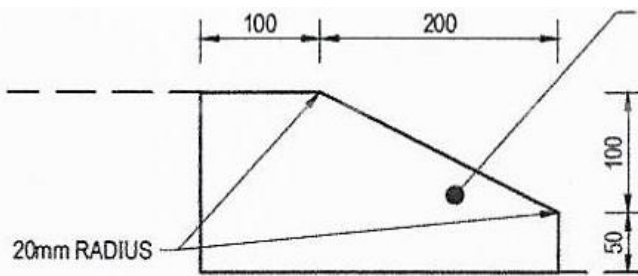
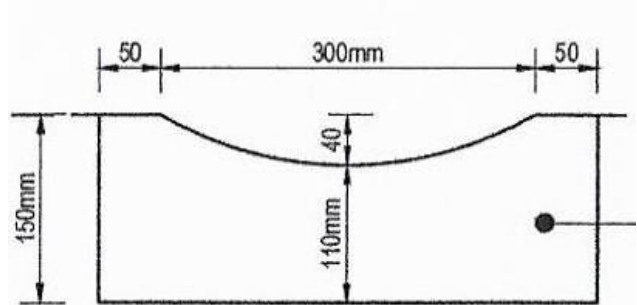


Mountable Kerb (300mm) Dish Channel (400mm), Kerb & Channel, Kerb Cutdown, Pram Crossing (425mm)

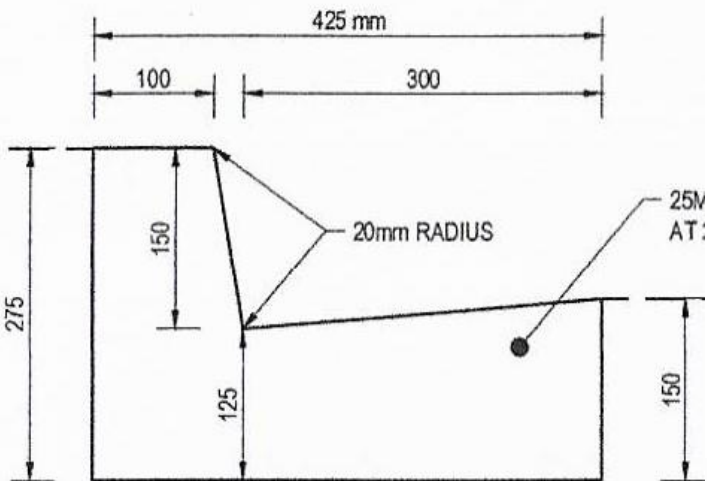
- Figures on the left hand side of each profile relate to the base height below top of kerb / edge dish.
- All string line offsets are 150mm behind back of kerb or side of channel.
- For extra strength – fibre mesh may be added.
- Please phone with any queries/for more information.



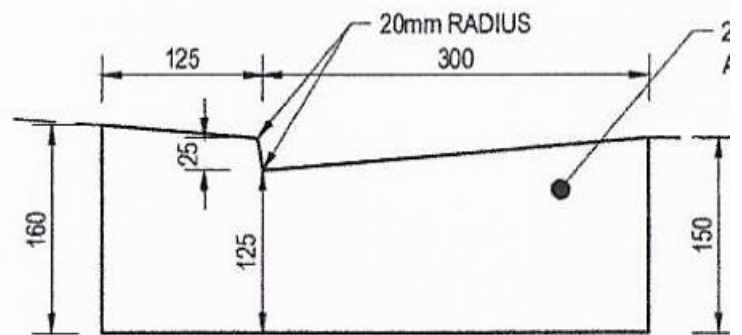
DETAIL - 300mm MOUNTABLE KERB



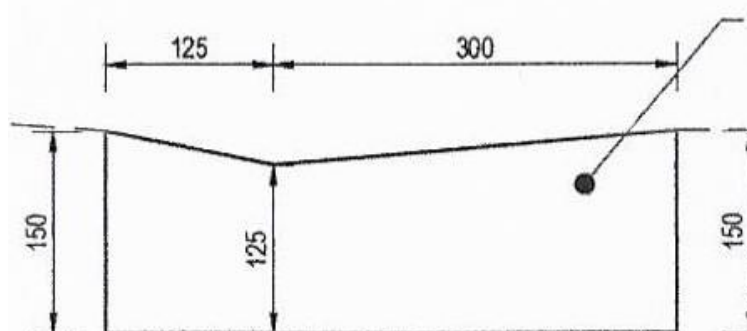
DETAIL - 400mm DISH CHANNEL



DETAIL - 425mm KERB & CHANNEL



DETAIL - 425mm KERB CUTDOWN



DETAIL - 425mm PRAM CROSSING