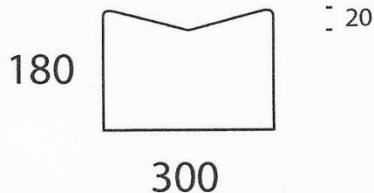


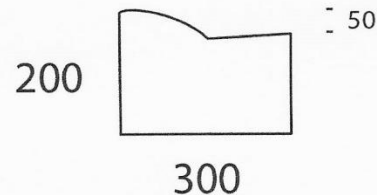
Interpath V Channel, Mountable V, Mountable Kerb, Cutdown Kerb

- Figures on the left hand side of each profile relate to the base height below top of kerb / edge dish.
- All string line offsets are 150mm behind back of kerb or side of channel.
- For extra strength – fibre mesh may be added.
- Please phone with any queries/for more information.

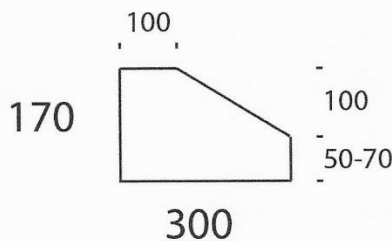
Interpath V - Channel
(300mm)



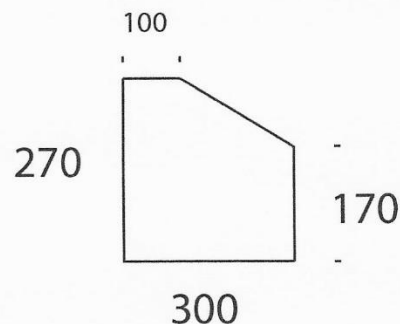
Mountable V - Channel



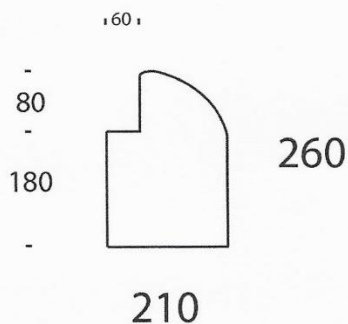
Mountable Kerb
(On Asphalt/Seal)



Mountable Kerb



Mountable Kerb Only



Cutdown Kerb and Channel
With Steel

