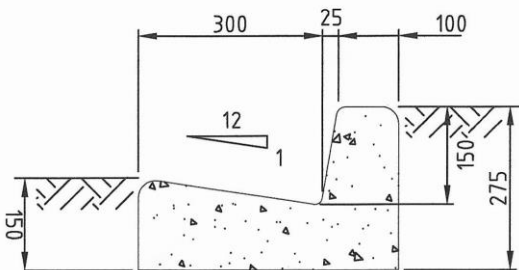


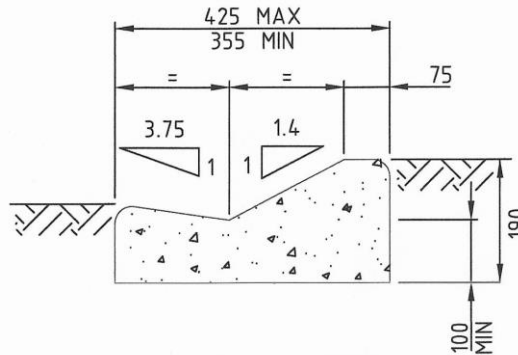
BLenheim(2) PROFILES

Kerb & Channel, Mountable K&C, Unmountable K&C, Mountable Kerb, Dish Channel

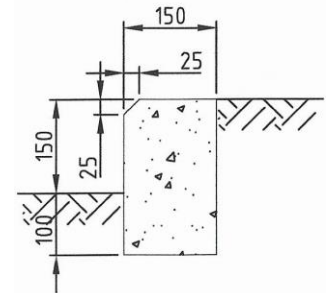
- Figures on the left hand side of each profile relate to the base height below top of kerb / edge dish.
- All string line offsets are 150mm behind back of kerb or side of channel.
- For extra strength – fibre mesh may be added.
- Please phone with any queries/for more information.



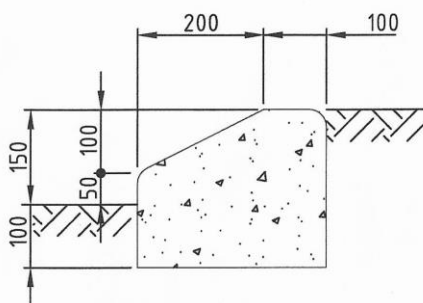
KERB & CHANNEL



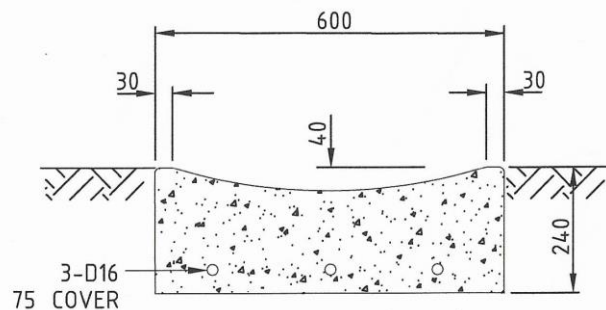
MOUNTABLE KERB & CHANNEL



UNMOUNTABLE KERB



MOUNTABLE KERB



DISH CHANNEL