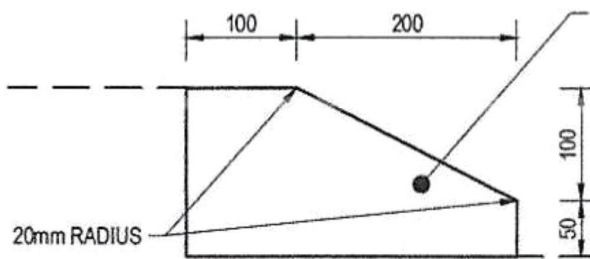
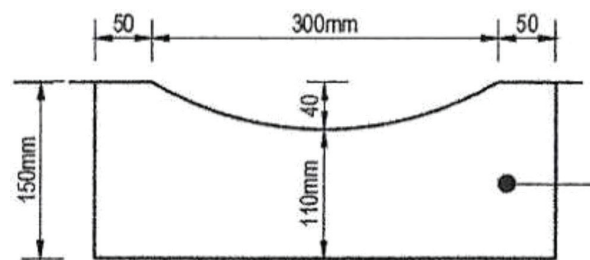


Mountable Kerb (300mm), Dish Channel (400mm), Kerb & Channel, Kerb Cutdown, Pram Crossing (425mm)

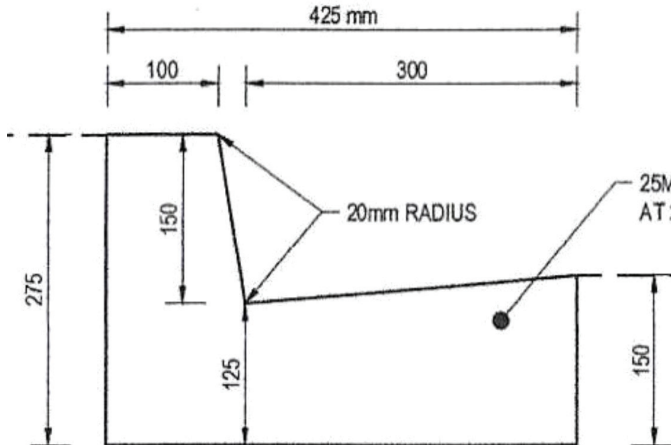
- Figures on the left hand side of each profile relate to the base height below top of kerb/edge dish.
- All string line offsets are 150mm behind back of kerb or side of channel.
- For extra strength – fibre mesh may be added.
- Please phone with any queries/for more information.



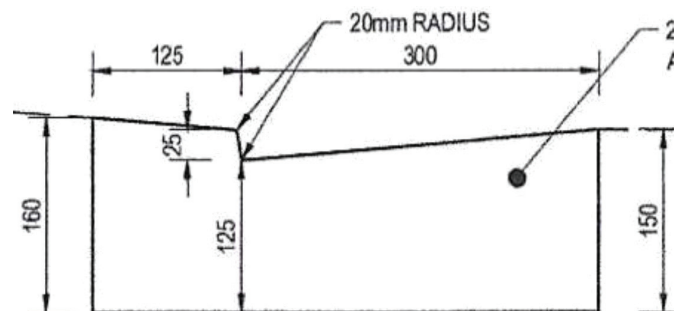
300mm Mountable Kerb



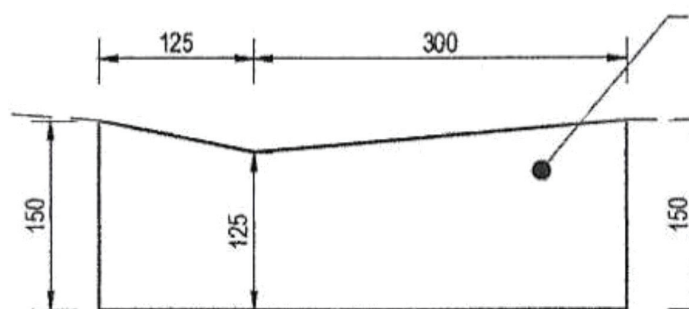
400mm Dish Channel



425mm Kerb and Channel



425mm Kerb Cutdown



425mm Pram Crossing