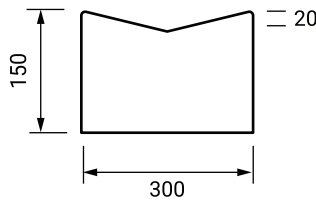
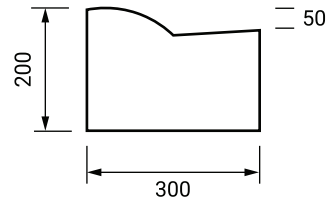


Interpath V Channel, Mountable V, Mountable Kerb, Cutdown Kerb

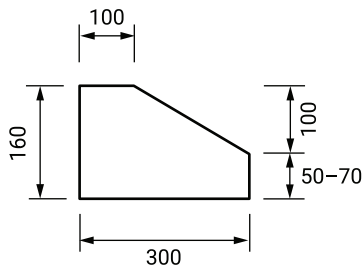
- Figures on the left hand side of each profile relate to the base height below top of kerb/edge dish.
- All string line offsets are 150mm behind back of kerb or side of channel.
- For extra strength – fibre mesh may be added.
- Please phone with any queries/for more information.



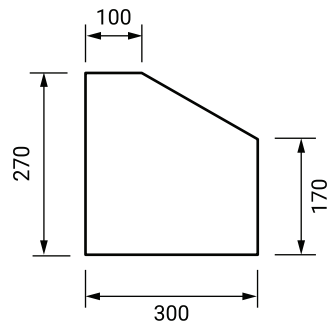
Interpath V - Channel (300mm)



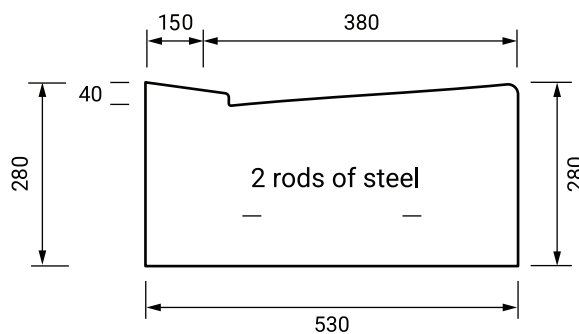
Mountable V - Channel



Mountable Kerb (On Asphalt/Seal)



Mountable Kerb



Cutdown Kerb and Channel with Steel