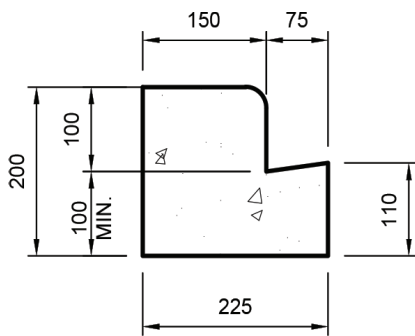
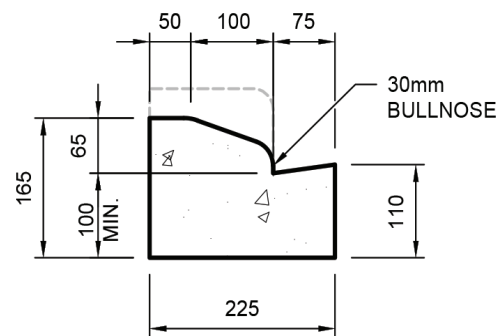


Cycleway Kerb

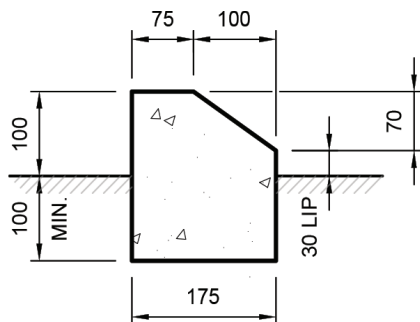
- Figures on the left hand side of each profile relate to the base height below top of kerb/edge dish.
- All string line offsets are 150mm behind back of kerb or side of channel.
- For extra strength – fibre mesh may be added.
- Please phone with any queries/for more information.



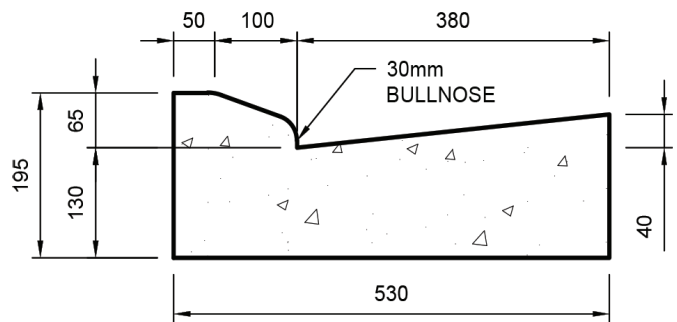
Cycleway Narrow Kerb and Channel (CNK)



Bus Stop Cut Down Kerb and Channel



Cycleway Mountable Kerb (CMK)



Cycleway Low Profile Kerb & Channel (CLK)